



DIECI



AGRI STAR GD



35.6

40.7

38.8

38.10

PERFORMANCE				
Machine model	AGRI STAR 35.6 EVO2	AGRI STAR 40.7 EVO2	AGRI STAR 38.8 EVO2	AGRI STAR 38.10 EVO2
Maximum capacity	3500 kg (7716 lb)	4000 kg (8818 lb)	3800 kg (8378 lb)	3800 kg (8378 lb)
Maximum lifting height on wheels	6,4 m (21 ft)	7,2 m (23,6 ft)	7,6 m (24,9 ft)	9,6 m (31,5 ft)
Maximum horizontal extension on wheels	3,8 m (12,5 ft)	4,0 m (13,1 ft)	4,4 m (14,4 ft)	6,2 m (20,3 ft)
Fork swiveling angle	146°	146°	146°	146°
Pull-out force	5700 daN (12814 lbf)	5700 daN (12814 lbf)	5700 daN (12814 lbf)	5700 daN (12814 lbf)
Towing force	5600 daN (12589 lbf)	5600 daN (12589 lbf)	5600 daN (12589 lbf)	5600 daN (12589 lbf)
Maximum climb angle	45%	45%	45%	45%
Unladen weight	7880 kg (17372 lb)	8780 kg (19357 lb)	8300 kg (18298 lb)	8550 kg (18850 lb)
Max speed (referred to wheels with maximum permitted diameter)	38 km/h (23,6 mph)	38 km/h (23,6 mph)	38 km/h (23,6 mph)	38 km/h (23,6 mph)

BOOM				
Machine model	AGRI STAR 35.6 EVO2	AGRI STAR 40.7 EVO2	AGRI STAR 38.8 EVO2	AGRI STAR 38.10 EVO2
Lifting	5,8 s	6,3 s	5,8 s	7,8 s
Getting off the basket	3 s	3,3 s	3 s	4,6 s
Extension	4,4 s	4,9 s	5,1 s	7,1 s
Retraction	2,5 s	2,7	2,9 s	4,3 s
Forward swiveling	2,5 s	2,5 s	2,5 s	2,5 s
Reverse swiveling	1,5 s	1,5 s	1,5 s	1,5 s

ENGINE				
Machine model	AGRI STAR 35.6 EVO2	AGRI STAR 40.7 EVO2	AGRI STAR 38.8 EVO2	AGRI STAR 38.10 EVO2
Brand	FPT	FPT	FPT	FPT
Nominal power	96 kW (129 HP)	96 kW (129 HP)	96 kW (129 HP)	96 kW (129 HP)
@rpm	2200 rpm	2200 rpm	2200 rpm	2200 rpm
Operation	4-stroke	4-stroke	4-stroke	4-stroke
Injection	Electronic, Common Rail	Electronic, Common Rail	Electronic, Common Rail	Electronic, Common Rail
Number and arrangement of cylinders	4, Vertical in line	4, Vertical in line	4, Vertical in line	4, Vertical in line
Displacement	4485 cm ³ (274 in ³)	4485 cm ³ (274 in ³)	4485 cm ³ (274 in ³)	4485 cm ³ (274 in ³)
Consumption	204,0 g/kWh (335,58 lb/Hp h)	204,0 g/kWh (335,58 lb/Hp h)	204,0 g/kWh (335,58 lb/Hp h)	204,0 g/kWh (335,58 lb/Hp h)
@rpm	1800 rpm	1800 rpm	1800 rpm	1800 rpm
Emission standards	Stage IV/Tier 4f	Stage IV/Tier 4f	Stage IV/Tier 4f	Stage IV/Tier 4f
Exhaust gas treatment	DOC+SCR (AdBlue)	DOC+SCR (AdBlue)	DOC+SCR (AdBlue)	DOC+SCR (AdBlue)
Cooling system	Liquid	Liquid	Liquid	Liquid
Intake	16-valve turbo compressor, after-cooler	16-valve turbo compressor, after-cooler	16-valve turbo compressor, after-cooler	16-valve turbo compressor, after-cooler

DIFFERENTIAL AXLES				
Machine model	AGRI STAR 35.6 EVO2	AGRI STAR 40.7 EVO2	AGRI STAR 38.8 EVO2	AGRI STAR 38.10 EVO2
Axles type	2 steering, with 4 epicycloidal reduction gears	2 steering, with 4 epicycloidal reduction gears	2 steering, with 4 epicycloidal reduction gears	2 steering, with 4 epicycloidal reduction gears
Type of steering	4 wheels / transversal / 2 wheels	4 wheels / transversal / 2 wheels	4 wheels / transversal / 2 wheels	4 wheels / transversal / 2 wheels
Front axle	Rigid	Rigid	Rigid	Rigid
Rear axle	Swinging	Swinging	Swinging	Swinging
Service braking	Oil bath with servo brake on front and rear axle with double hydraulic system	Oil bath with servo brake on front and rear axle with double hydraulic system	Oil bath with servo brake on front and rear axle with double hydraulic system	Oil bath with servo brake on front and rear axle with double hydraulic system
Parking braking	Negative actuation with electronic control	Negative actuation with electronic control	Negative actuation with electronic control	Negative actuation with electronic control

HYDRAULIC SYSTEM				
Machine model	AGRI STAR 35.6 EVO2	AGRI STAR 40.7 EVO2	AGRI STAR 38.8 EVO2	AGRI STAR 38.10 EVO2
Hydraulic pump type	No. 3 gear pumps for power-steering, movements and Fan Drive	No. 3 gear pumps for power-steering, movements and Fan Drive	No. 3 gear pumps for power-steering, movements and Fan Drive	No. 3 gear pumps for power-steering, movements and Fan Drive
Hydraulic pump capacity	205 L/min (54,2 gal/min)	205 L/min (54,2 gal/min)	205 L/min (54,2 gal/min)	205 L/min (54,2 gal/min)
Max. operating pressure	25,5 MPa (3698 psi)	25,5 MPa (3698 psi)	25,5 MPa (3698 psi)	25,5 MPa (3698 psi)
Distributor control	4in1 proportional Joystick with FNR	4in1 proportional Joystick with FNR	4in1 proportional Joystick with FNR	4in1 proportional Joystick with FNR

REFUELING				
Machine model	AGRI STAR 35.6 EVO2	AGRI STAR 40.7 EVO2	AGRI STAR 38.8 EVO2	AGRI STAR 38.10 EVO2
Hydraulic system (total)	140,0 L (36,98 gal)	140,0 L (36,98 gal)	140,0 L (36,98 gal)	140,0 L (36,98 gal)
Diesel tank	175 L (46,23 gal)	175 L (46,23 gal)	175 L (46,23 gal)	175 L (46,23 gal)

TRANSMISSION				
Machine model	AGRI STAR 35.6 EVO2	AGRI STAR 40.7 EVO2	AGRI STAR 38.8 EVO2	AGRI STAR 38.10 EVO2
Transmission type	Single speed Hydrostatic transmission with variable displacement pump	Single speed Hydrostatic transmission with variable displacement pump	Single speed Hydrostatic transmission with variable displacement pump	Single speed Hydrostatic transmission with variable displacement pump
Hydraulic motor	Hydrostatic with continuous automatic adjustment	Hydrostatic with continuous automatic adjustment	Hydrostatic with continuous automatic adjustment	Hydrostatic with continuous automatic adjustment
Reversal	Electro-Hydraulic	Electro-Hydraulic	Electro-Hydraulic	Electro-Hydraulic
Inching	With hydraulic pedal for controlled forward movement	With hydraulic pedal for controlled forward movement	With hydraulic pedal for controlled forward movement	With hydraulic pedal for controlled forward movement

TOWING CAPACITY (upon request)

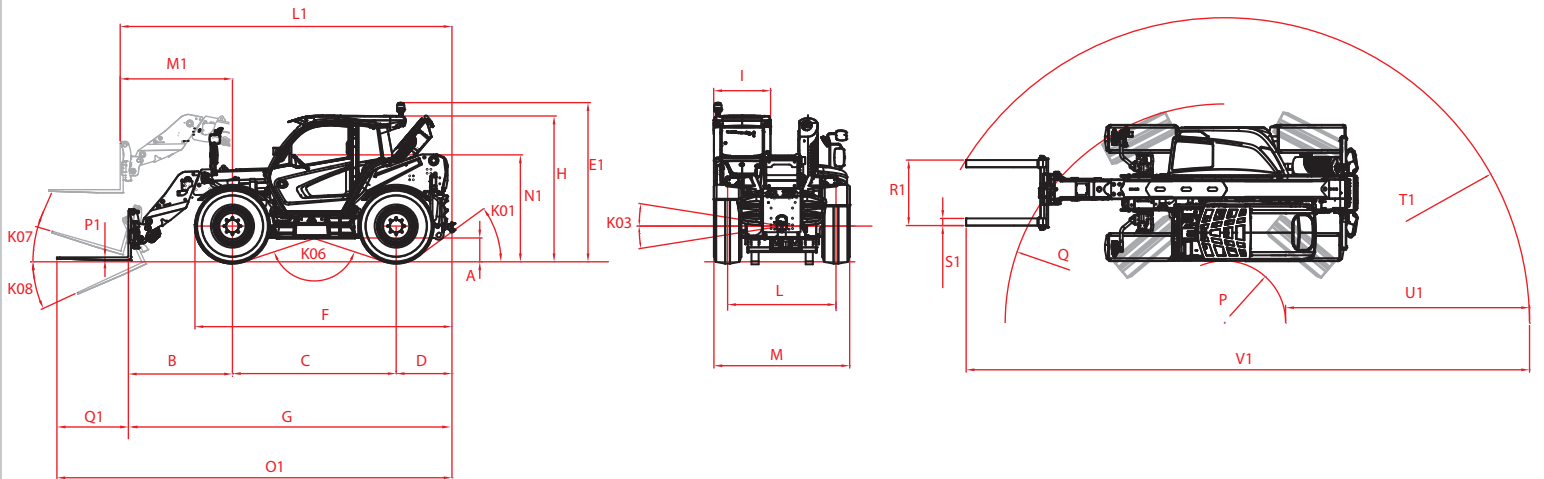
Machine model	AGRI STAR 35.6 EVO2	AGRI STAR 40.7 EVO2	AGRI STAR 38.8 EVO2	AGRI STAR 38.10 EVO2
Unbraked trailer	3500 kg (7716 lb)	3500 kg (7716 lb)	3500 kg (7716 lb)	3500 kg (7716 lb)
Inertia braking	8000 kg (17637 lb)	8000 kg (17637 lb)	8000 kg (17637 lb)	8000 kg (17637 lb)
Mechanical braking	6000 kg (13228 lb)	6000 kg (13228 lb)	6000 kg (13228 lb)	6000 kg (13228 lb)
Hydraulic/pneumatic braking	20000 kg (44092 lb)	20000 kg (44092 lb)	20000 kg (44092 lb)	20000 kg (44092 lb)

TIRES

Machine model	AGRI STAR 35.6 EVO2	AGRI STAR 40.7 EVO2	AGRI STAR 38.8 EVO2	AGRI STAR 38.10 EVO2
Standard tires	400/70-24" (16/70-24)	400/70-24" (16/70-24)	400/70-24" (16/70-24)	400/70-24" (16/70-24)
Optional tires	18-22.5";445/65 (18 R22.5); 460/70 R 24 (17.6 LR 24);500/60 - 22.5	18-22.5";445/65 (18 R22.5); 460/70 R 24 (17.6 LR 24);500/60 - 22.5	18-22.5";445/65 (18 R22.5); 460/70 R 24 (17.6 LR 24);500/60 - 22.5	18-22.5";445/65 (18 R22.5); 460/70 R 24 (17.6 LR 24);500/60 - 22.5

DIMENSIONS

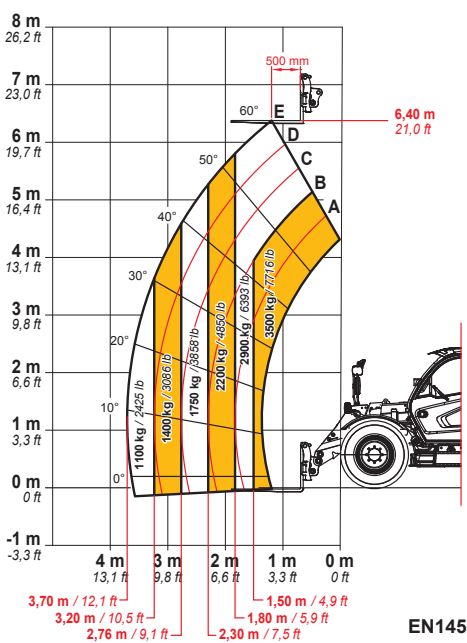
Machine model	AGRI STAR 35.6 EVO2	AGRI STAR 40.7 EVO2	AGRI STAR 38.8 EVO2	AGRI STAR 38.10 EVO2
A	360 mm (14,2 in)	360 mm (14,2 in)	360 mm (14,2 in)	360 mm (14,2 in)
B	1283 mm (50,5 in)	1283 mm (50,5 in)	1748 mm (68,8 in)	1307 mm (51,5 in)
C	2750 mm (108,3 in)	2750 mm (108,3 in)	2750 mm (108,3 in)	2750 mm (108,3 in)
D	877 mm (34,5 in)	937 mm (36,9 in)	937 mm (36,9 in)	937 mm (36,9 in)
E1	2630 mm (103,5 in)	2630 mm (103,5 in)	2630 mm (103,5 in)	2630 mm (103,5 in)
F	4216 mm (166 in)	4276 mm (168,3 in)	4276 mm (168,3 in)	4276 mm (168,3 in)
G	4911 mm (193,3 in)	4971 mm (195,7 in)	5435 mm (214 in)	4995 mm (196,7 in)
H	2410 mm (94,9 in)	2410 mm (94,9 in)	2410 mm (94,9 in)	2410 mm (94,9 in)
I	960 mm (37,8 in)	960 mm (37,8 in)	960 mm (37,8 in)	960 mm (37,8 in)
K01	36°	31°	31°	31°
K03	9°	9°	9°	9°
K06	150°	150°	150°	150°
K07	16°	16°	16°	16°
K08	131°	131°	131°	131°
L	1870 mm (73,6 in)	1870 mm (73,6 in)	1870 mm (73,6 in)	1870 mm (73,6 in)
L1	5080 mm (200 in)	5140 mm (202,4 in)	5572 mm (219,4 in)	5159 mm (203,1 in)
M	2290 mm (90,2 in)	2290 mm (90,2 in)	2290 mm (90,2 in)	2290 mm (90,2 in)
M1	1453 mm (57,2 in)	1453 mm (57,2 in)	1885 mm (74,2 in)	1472 mm (58 in)
N1	1755 mm (69,1 in)	1755 mm (69,1 in)	1755 mm (69,1 in)	1755 mm (69,1 in)
O1	6111 mm (240,6 in)	6171 mm (243 in)	6635 mm (261,2 in)	6195 mm (243,9 in)
P	1031 mm (40,6 in)	1031 mm (40,6 in)	1031 mm (40,6 in)	1031 mm (40,6 in)
Q	3679 mm (144,8 in)	3679 mm (144,8 in)	3679 mm (144,8 in)	3679 mm (144,8 in)
R1	1100 mm (43,3 in)	1100 mm (43,3 in)	1100 mm (43,3 in)	1100 mm (43,3 in)
S1	120 mm (4,7 in)	120 mm (4,7 in)	120 mm (4,7 in)	120 mm (4,7 in)
T1	4691 mm (184,7 in)	4691 mm (184,7 in)	5127 mm (201,9 in)	4759 mm (187,4 in)
U1	3706 mm (145,9 in)	3706 mm (145,9 in)	4097 mm (161,3 in)	3729 mm (146,8 in)
V1	8599 mm (338,5 in)	8599 mm (338,5 in)	9463 mm (372,6 in)	8655 mm (340,7 in)
P1	45 mm (1,8 in)	45 mm (1,8 in)	45 mm (1,8 in)	45 mm (1,8 in)
Q1	1200 mm (47,2 in)	1200 mm (47,2 in)	1200 mm (47,2 in)	1200 mm (47,2 in)



MAX
3500 kg / 7716 lb



DOCDI0000834



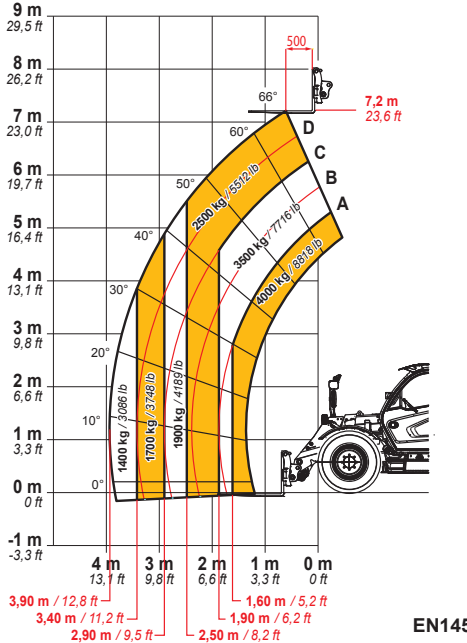
EN1459 Annex-B

35.6

MAX
4000 kg / 8818 lb



DOCDI0000835



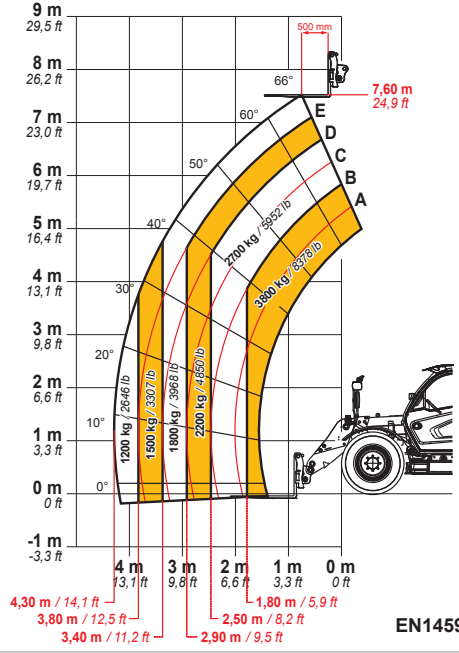
EN1459 Annex-B

40.7

MAX
3800 kg / 8378 lb



DOCDI0000836



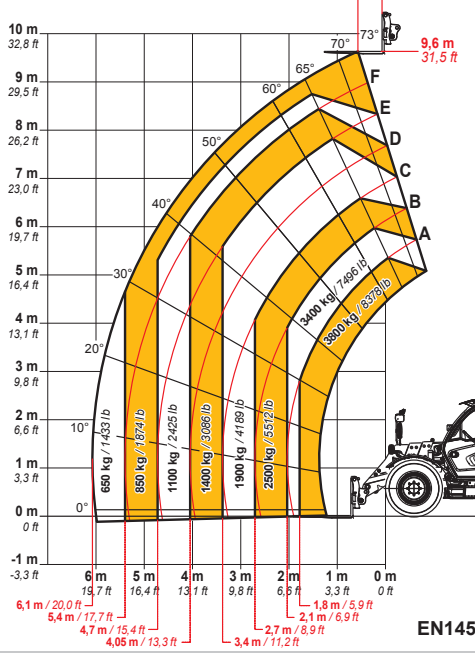
EN1459 Annex-B

38.8

MAX
3800 kg / 8378 lb



DOCDI0000837



EN1459 Annex-B

38.10