



DIECI



60.9 VS

65.8 VS

75.10

AGRI MAX

PERFORMANCE

Machine model	AGRI MAX 65.8 VS EVO2	AGRI MAX 60.9 VS EVO2	AGRI MAX 75.10
Outriggers maximum capacity	-	-	7500 kg (16535 lb)
Wheels maximum capacity	6500 kg (14330 lb)	6000 kg (13228 lb)	7200 kg (15873 lb)
Maximum lifting height on wheels	7,70 m (25,3 ft)	8,60 m (28,2 ft)	9,50 m (31,2 ft)
Maximum horizontal extension on wheels	4,20 m (13,8 ft)	4,90 m (16,1 ft)	5,40 m (17,7 ft)
Fork swiveling angle	144°	144°	134°
Pull-out force	5700 daN (12814 lbf)	5700 daN (12814 lbf)	5700 daN (12814 lbf)
Towing force	7300 daN (16411 lbf)	7300 daN (16411 lbf)	7300 daN (16411 lbf)
Maximum climb angle	40%	40%	40%
Unladen weight	10900 kg (24030 lb)	11100 kg (24471 lb)	12100 kg (26676 lb)
Max speed (referred to wheels with maximum permitted diameter)	40 km/h (24,9 mph)	40 km/h (24,9 mph)	40 km/h (24,9 mph)

BOOM

Machine model	AGRI MAX 65.8 VS EVO2	AGRI MAX 60.9 VS EVO2	AGRI MAX 75.10
Lifting	10,5 s	11,0 s	15,1 s
Getting off the basket	6,6 s	6,9 s	9,9 s
Extension	5,5 s	6,4 s	10,4 s
Retraction	2,4 s	2,8 s	4,1 s
Forward swiveling	2,8 s	2,8 s	4,6 s
Reverse swiveling	1,9 s	1,9 s	2,0 s

ENGINE

Machine model	AGRI MAX 65.8 VS EVO2	AGRI MAX 60.9 VS EVO2	AGRI MAX 75.10
Brand	FPT	FPT	FPT
Nominal power	103 kW (138 HP)	103 kW (138 HP)	103 kW (138 HP)
@rpm	2200 rpm	2200 rpm	2200 rpm
Peak power	113 kW (152 HP)	113 kW (152 HP)	113 kW (152 HP)
@rpm	1900 rpm	1900 rpm	1900 rpm
Operation	4-stroke	4-stroke	4-stroke
Injection	Electronic, Common Rail	Electronic, Common Rail	Electronic, Common Rail
Number and arrangement of cylinders	4, Vertical in line	4, Vertical in line	4, Vertical in line
Displacement	4485 cm ³ (274 in ³)	4485 cm ³ (274 in ³)	4485 cm ³ (274 in ³)
Consumption	208 g/kWh (342,16 lb/Hp h)	208 g/kWh (342,16 lb/Hp h)	208 g/kWh (342,16 lb/Hp h)
@rpm	1900 rpm	1900 rpm	1900 rpm
Emission standards	Stage IIIB/Tier 4i	Stage IIIB/Tier 4i	Stage IIIB/Tier 4i
Exhaust gas treatment	SCR (AdBlue)	SCR (AdBlue)	SCR (AdBlue)
Cooling system	Liquid	Liquid	Liquid
Intake	16-valve turbo compressor, aftercooler	16-valve turbo compressor, aftercooler	16-valve turbo compressor, aftercooler

DIFFERENTIAL AXLES

Machine model	AGRI MAX 65.8 VS EVO2	AGRI MAX 60.9 VS EVO2	AGRI MAX 75.10
Axles type	2 steering, with 4 epicycloidal reduction gears	2 steering, with 4 epicycloidal reduction gears	2 steering, with 4 epicycloidal reduction gears
Type of steering	4 wheels / transversal / 2 wheels	4 wheels / transversal / 2 wheels	4 wheels / transversal / 2 wheels
Front axle	Rigid (Levelling upon request)	Rigid (Levelling upon request)	Rigid (Levelling upon request)
Rear axle	Swinging	Swinging	Swinging
Service braking	Oil bath with servo brake on front and rear axle with double hydraulic system	Oil bath with servo brake on front and rear axle with double hydraulic system	Oil bath with servo brake on front and rear axle with double hydraulic system
Parking braking	Negative actuation with electrical control	Negative actuation with electrical control	Negative actuation with electrical control

HYDRAULIC SYSTEM

Machine model	AGRI MAX 65.8 VS EVO2	AGRI MAX 60.9 VS EVO2	AGRI MAX 75.10
Hydraulic pump type	Variable displacement with Load Sensing	Variable displacement with Load Sensing	Gear pump for power steering and movements
Hydraulic pump capacity	185 L/min (48,9 gal/min)	185 L/min (48,9 gal/min)	160 L/min (42,3 gal/min)
Max. operating pressure	26,0 MPa (3771 psi)	26,0 MPa (3771 psi)	26,0 MPa (3771 psi)
Distributor control	Proportional 4in1 Joystick	Proportional 4in1 Joystick	Proportional 4in1 Joystick

REFUELING

Machine model	AGRI MAX 65.8 VS EVO2	AGRI MAX 60.9 VS EVO2	AGRI MAX 75.10
Hydraulic system (total)	160,0 L (42,27 gal)	160,0 L (42,27 gal)	160,0 L (42,27 gal)
Diesel tank	125,0 L (33,02 gal)	125,0 L (33,02 gal)	105,0 L (27,74 gal)
AdBlue tank	27,0 L (7,13 gal)	27,0 L (7,13 gal)	35,0 L (9,25 gal)

TRANSMISSION

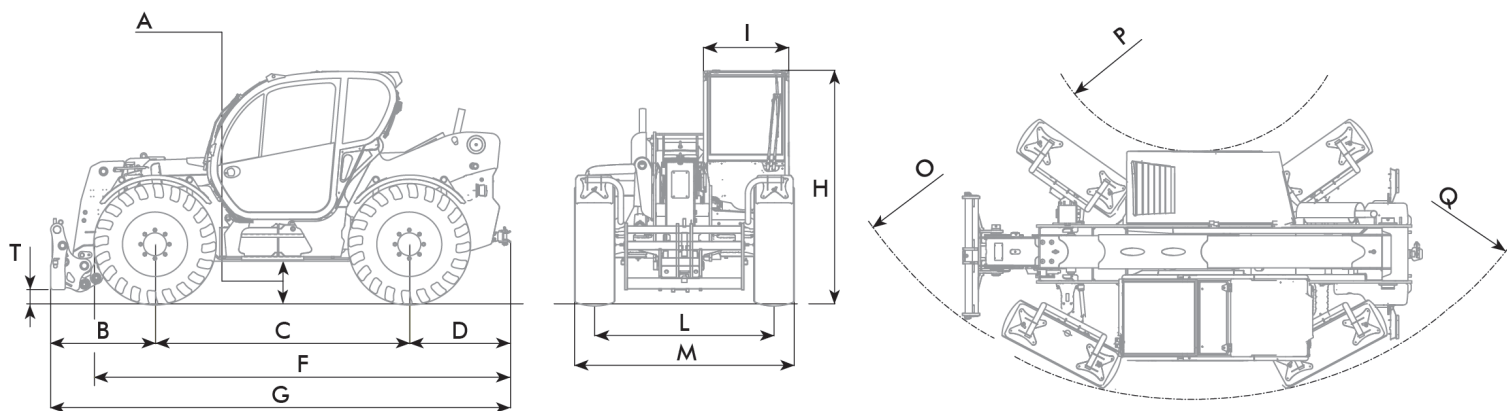
Machine model	AGRI MAX 65.8 VS EVO2	AGRI MAX 60.9 VS EVO2	AGRI MAX 75.10
Transmission type	Hydrostatic single speed Vario System EVO2 with electronic control	Hydrostatic single speed Vario System EVO2 with electronic control	Hydrostatic with variable displacement pump
Hydraulic motor	-	-	Hydrostatic with continuous automatic adjustment
Reversal	Electro-Hydraulic	Electro-Hydraulic	Electro-Hydraulic
Inching	With electronic pedal for controlled forward movement	With electronic pedal for controlled forward movement	With hydraulic pedal for controlled forward movement
Transmission gearbox	-	-	Servo-controlled 2-speed

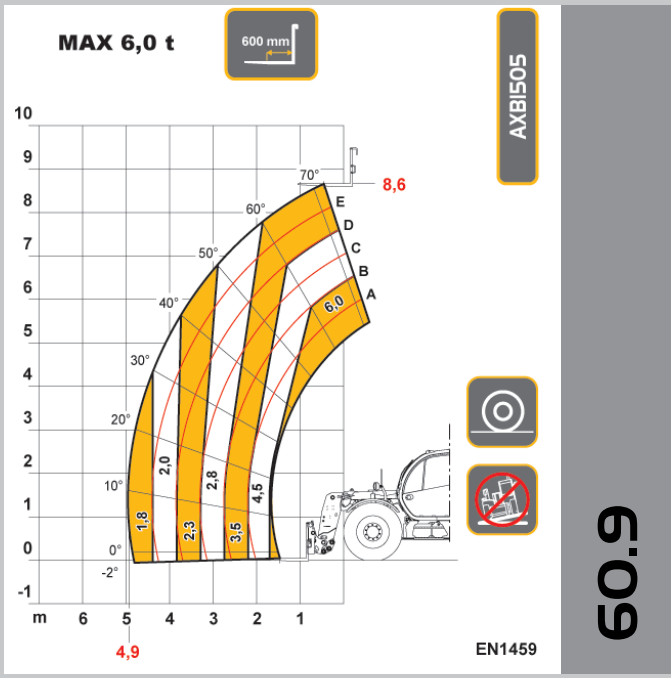
TIRES

Machine model	AGRI MAX 65.8 VS EVO2	AGRI MAX 60.9 VS EVO2	AGRI MAX 75.10
Standard tires	18x22.5"	18x22.5"	18x22.5"
Optional tires	500/70R24"; 17.5R25"	500/70R24"; 17.5R25"	-

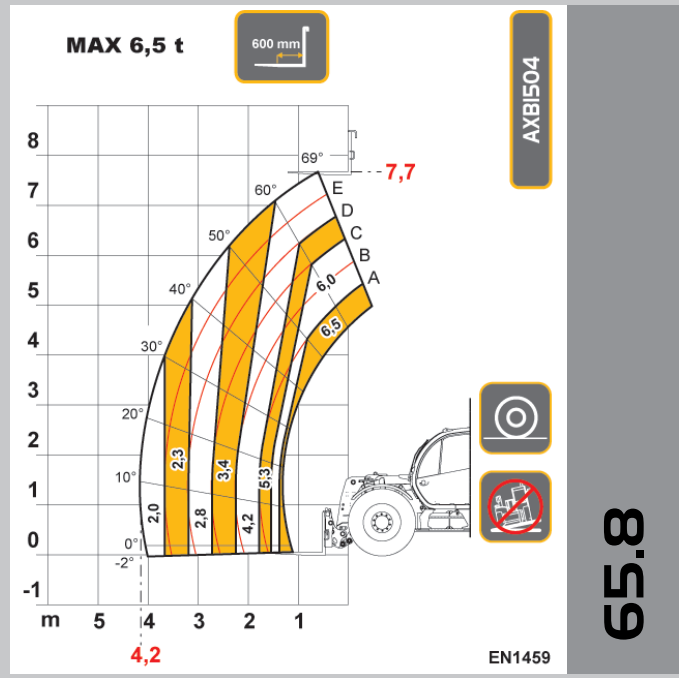
DIMENSIONS

Machine model	AGRI MAX 65.8 VS EVO2	AGRI MAX 60.9 VS EVO2	AGRI MAX 75.10
A	395 mm (15,6 in)	395 mm (15,6 in)	440 mm (17,3 in)
B	1505 mm (59,3 in)	1505 mm (59,3 in)	1480 mm (58,3 in)
C	2800 mm (110,2 in)	2800 mm (110,2 in)	2950 mm (116,1 in)
D	1050 mm (41,3 in)	1050 mm (41,3 in)	1330 mm (52,4 in)
F	4435 mm (174,6 in)	4435 mm (174,6 in)	4820 mm (189,8 in)
G	5005 mm (197 in)	5355 mm (210,8 in)	5910 mm (232,7 in)
H	2495 mm (98,2 in)	2495 mm (98,2 in)	2490 mm (98 in)
I	940 mm (37 in)	940 mm (37 in)	940 mm (37 in)
L	1920 mm (75,6 in)	1920 mm (75,6 in)	1920 mm (75,6 in)
M	2390 mm (94,1 in)	2390 mm (94,1 in)	2380 mm (93,7 in)
O	4350 mm (171,3 in)	4550 mm (179,1 in)	4730 mm (186,2 in)
P	1700 mm (66,9 in)	1700 mm (66,9 in)	1700 mm (66,9 in)
Q	4400 mm (173,2 in)	4400 mm (173,2 in)	4400 mm (173,2 in)
T	145 mm (5,7 in)	145 mm (5,7 in)	100 mm (3,9 in)

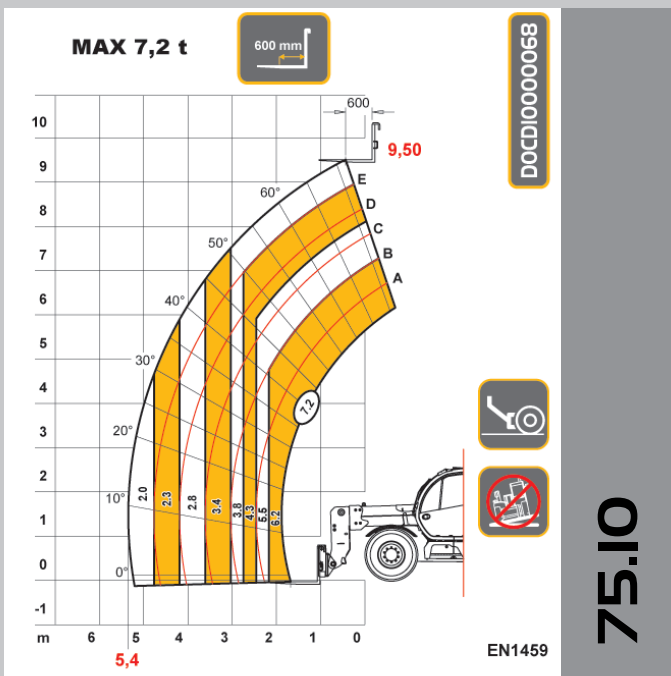




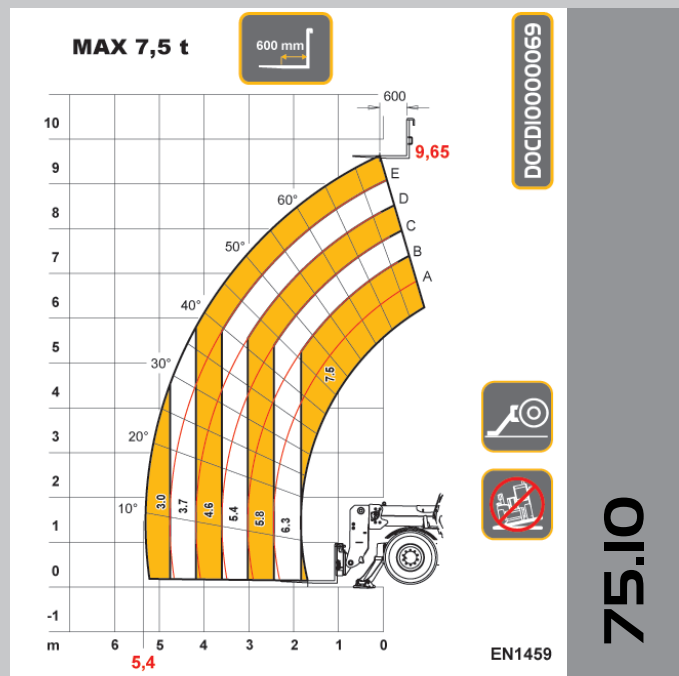
60.9



65.8



75.10



75.10

Dieci Srl - Via E. Majorana, 2-4 – 42027 – Montecchio Emilia (RE) ITALY

Tel. +39 0522 869611 – Fax +39 0522 869798 – E-mail: info@dieci.com – www.dieci.com

SKT Agri Max EC -UK | v. 1.6