

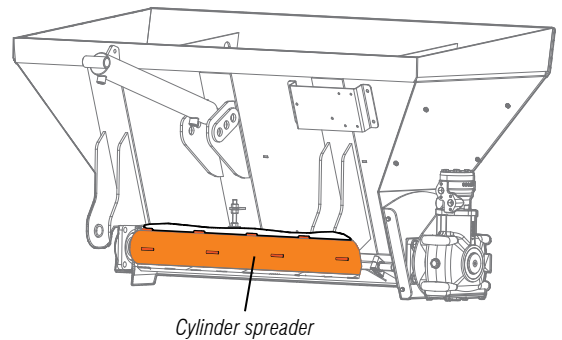
# SNOW 300-1000-1500

Self-loading spreaders

Loading capacity 300 - 1000 - 1500 l



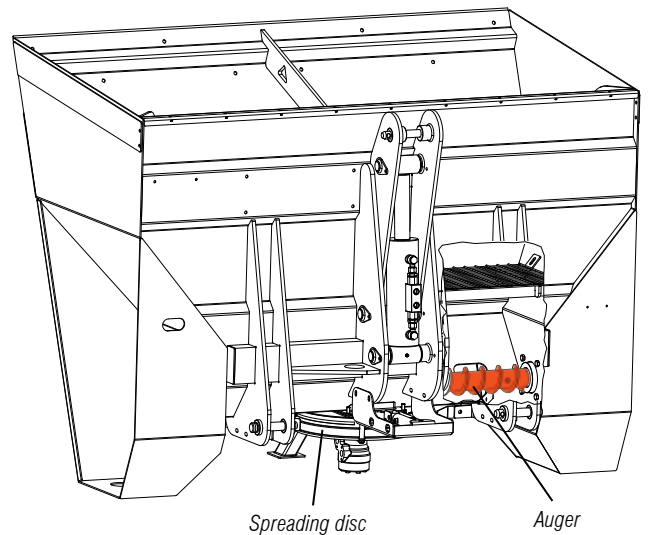
Mod. SNOW 300



Cylinder spreader

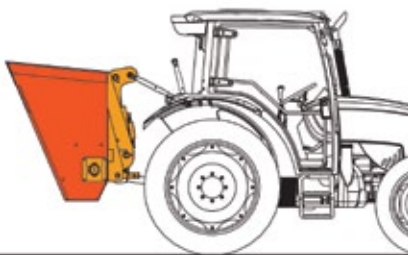


Mod. SNOW 1000

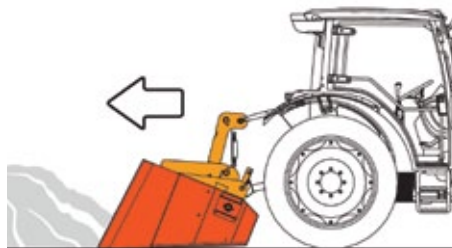


Spreading disc

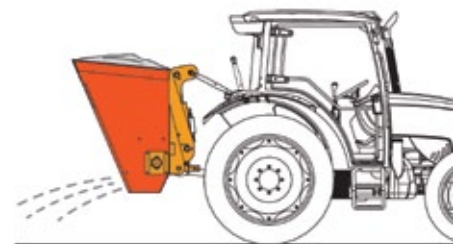
Auger



Empty hopper



Loading



Spreading

## Self-loading spreader with cylinder

Models	Capacity (m <sup>3</sup> /l)	Spreading width (m)	Weight (kg)	Length (cm)	Hopper width (cm)	Height (cm)	Tractor Power (HP)
SNOW 300	0,3 / 300	1	250	84	152	79	40/50

## Self-loading spreader with disc

Models	Capacity (m <sup>3</sup> /l)	Spreading width (m)	Weight (kg)	Length (cm)	Hopper width (cm)	Height (cm)	Tractor Power (HP)
SNOW 1000	1,0 / 1.000	1,5 - 7	550	100	180	140	120/150
SNOW 1500	1,5 / 1.500	1,5 - 7	650	100	245	140	150/180

AGREX S.p.A. is committed to constantly improving its products to meet the needs of the sector. It therefore reserves the right to make construction and technical changes at any time and without notice.

# SNOW 300 - 1000 - 1500

Self-loading spreaders

## Easy Jet (Optional)

Computer **Easy Jet**: the speed of the disk and of the auger is controlled by this computer for flow regulation from the tractor.

The volumetric control is not available (it is on the model **C-Manager 1.0** instead).



## C-Manager 1.0 (Optional)

AGREX presents the new **C-Manager 1.0** computer system of proportional distribution advancement (PDA) that allows for automatic flow regulation depending on the tractor speed. The speed control is done through either direct tractor connection, or the GPS antenna or by the wheel speed sensor (the last two have a separate wiring as additional accessories).

### Main Features:

- Working light and signaling flashing devices (on request).
- Integrated GPS device to measure the tractor speed
- Graphic display with backlight
- High brightness LEDs
- Clock with calendar to record events
- 192 kbyte memory
- 434 MHz radio connection (on request)
- 35 way AMPseal connector
- 9-30Vdc voltage supply
- 225 × 110 × 45 mm

### GPS Specifications:

- Position accuracy: **1.8 m (CEP95)**
- Tractor speed accuracy: **0.1 m/s**
- Update rate: **1 Hz, optional 5 Hz**



## Tarpaulin hopper cover (Optional)



Mod. SNOW 300



Mod. SNOW 1000



Mod. SNOW 1500



Mod. SNOW 2000